

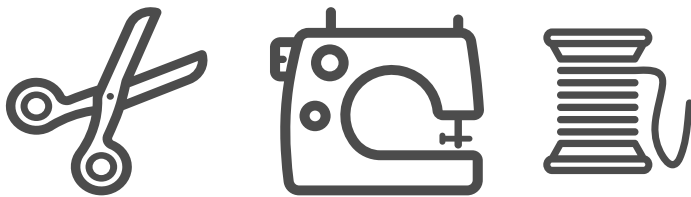
Todaro Philly Facemask

This fabric mask is designed to have 2 layers of material, elastic ear loops or fabric ties, and a wire nose piece. It is made to be worn alone, with a filter, or over a N95 mask. Sizing is one size fits most adults. Alter as needed. This mask is not designed to block out all particles, but to protect from “droplet” spread and does not filter “aerosolized” particles. Wearer should follow proper care instructions.



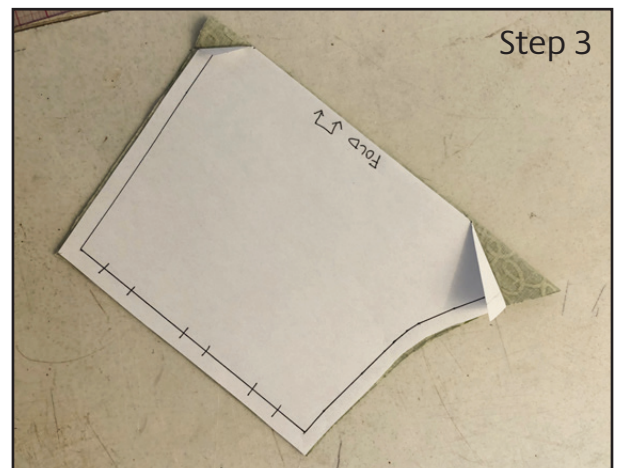
Supplies Needed

- Tightly woven 100% cotton for lining and outer layer (pre-wash before using to prevent shrinking)
- 3.5” wire (copper is preferable)
- Pattern (has 1/4” seam allowance already)
- Scissors
- Pencil
- Tie options: (Choose one)
 - 2 - 6” pieces of 1/4” flat or cord elastic for ear loops
 - 4 - 6” pieces 1/4” flat or cord elastic for adjustable ear ties
 - 4 - 18” fabric ties

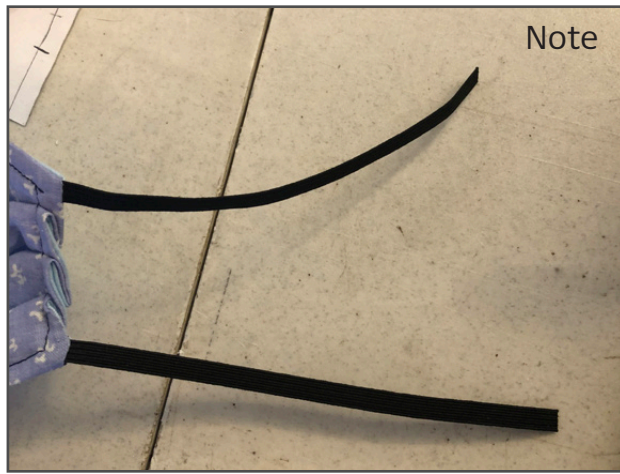


Instructions:

1. For outer layer, Cut 1 pattern A on fold of cotton fabric.
2. For lining, Cut 1 of Pattern A on fold of cotton fabric.
3. Mark darts on both pieces.

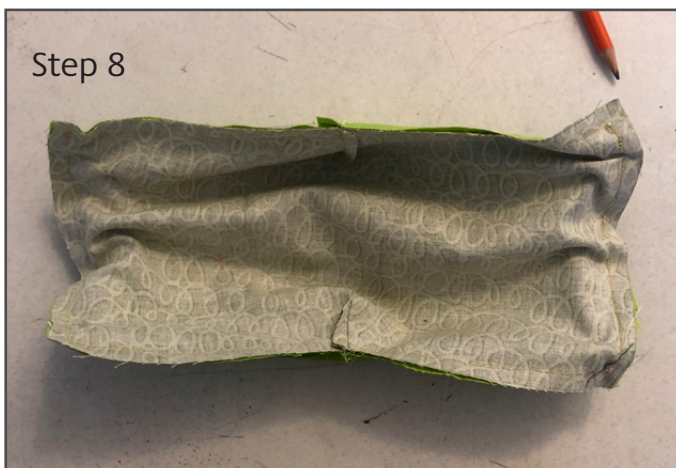


4. Stitch darts on all pieces. Use a 2.5 length and back stitch.
5. Bonus step: serge or use pinking shears on the bottom edge of the lining layer (part of this will be left open for filter pocket and this will slow down fraying over time) this step is not necessary.
6. Put your front and back pieces together, right sides together. Pin or clip your elastic/tie end inside on each of the corners.



NOTE: You can either use 4 pieces of elastic that then get tied together to make the elastic adjustable, OR cut 2 total pieces at 6" long to attach in a loop on the side seams OR cut 4 18" of fabric ties

7. Sew around the pieces with a 1/4" seam allowance. Leave a 1 1/2 -2" opening center bottom, backstitch each end. (Not pictured)



8. Turn your mask right sides out, press seams.

Step 9



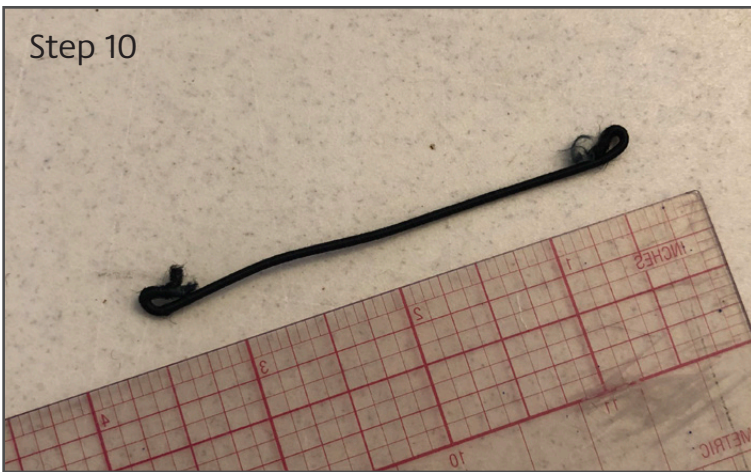
9. Using the pattern for guidance, pin your pleats on each side. top stitch from opening on bottom to a quarter way in towards the top front, leave room for your wire at the nose.

Step 9



10. Turn edges of your wire in. Slide the wire inside your mask and then into the channel in the top stitching. Stitch the channel closed on either side and continue your top stitching until you reach the opening at the bottom.
11. Wash your mask on hot and dry completely.

Step 10



Step 10



Mask Pattern	Ear to ear	Bridge of nose to chin
Small	8"-10"	up to 6"
Standard	9"-11"	up to 6 1/2"
Large	10"-12"	up to 7 1/2"
Kids	7 1/2" - 8"	up to 5"

*How to measure:

Ear to ear: measure from ear lobe across nose to ear lobe

Bridge of nose to chin: between eyes to just below chin

1/2" Grid lines

5 1/4"

1 3/4"

7 1/2"

Fold

Standard Todaro Face Mask

One size fits most adults

Cut two on fold

1/4" Seam allowance included

Updated 4/22/2020

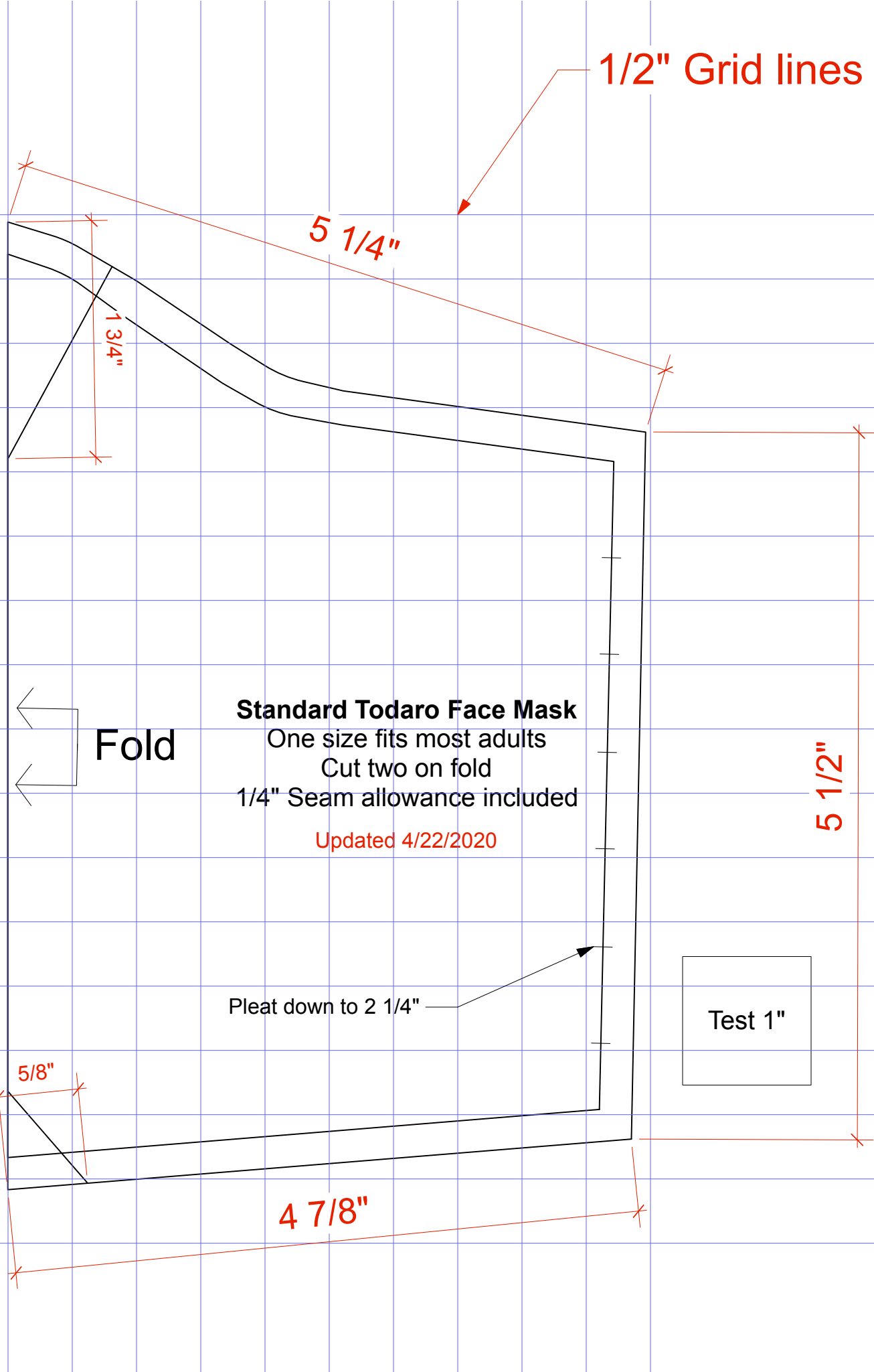
5 1/2"

Pleat down to 2 1/4"

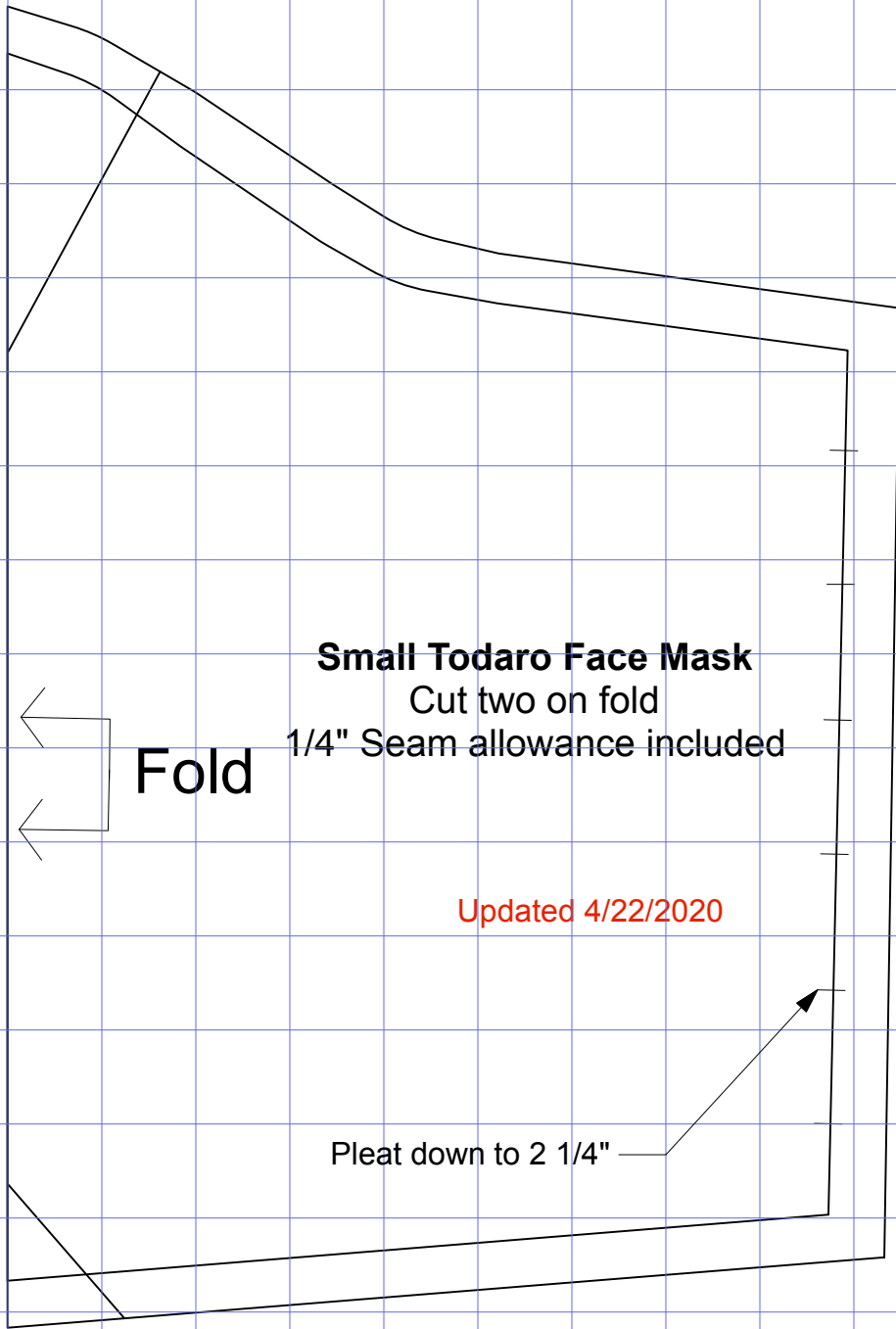
Test 1"

5/8"

4 7/8"



1/2" Grid lines



Small Todaro Face Mask

Cut two on fold

1/4" Seam allowance included

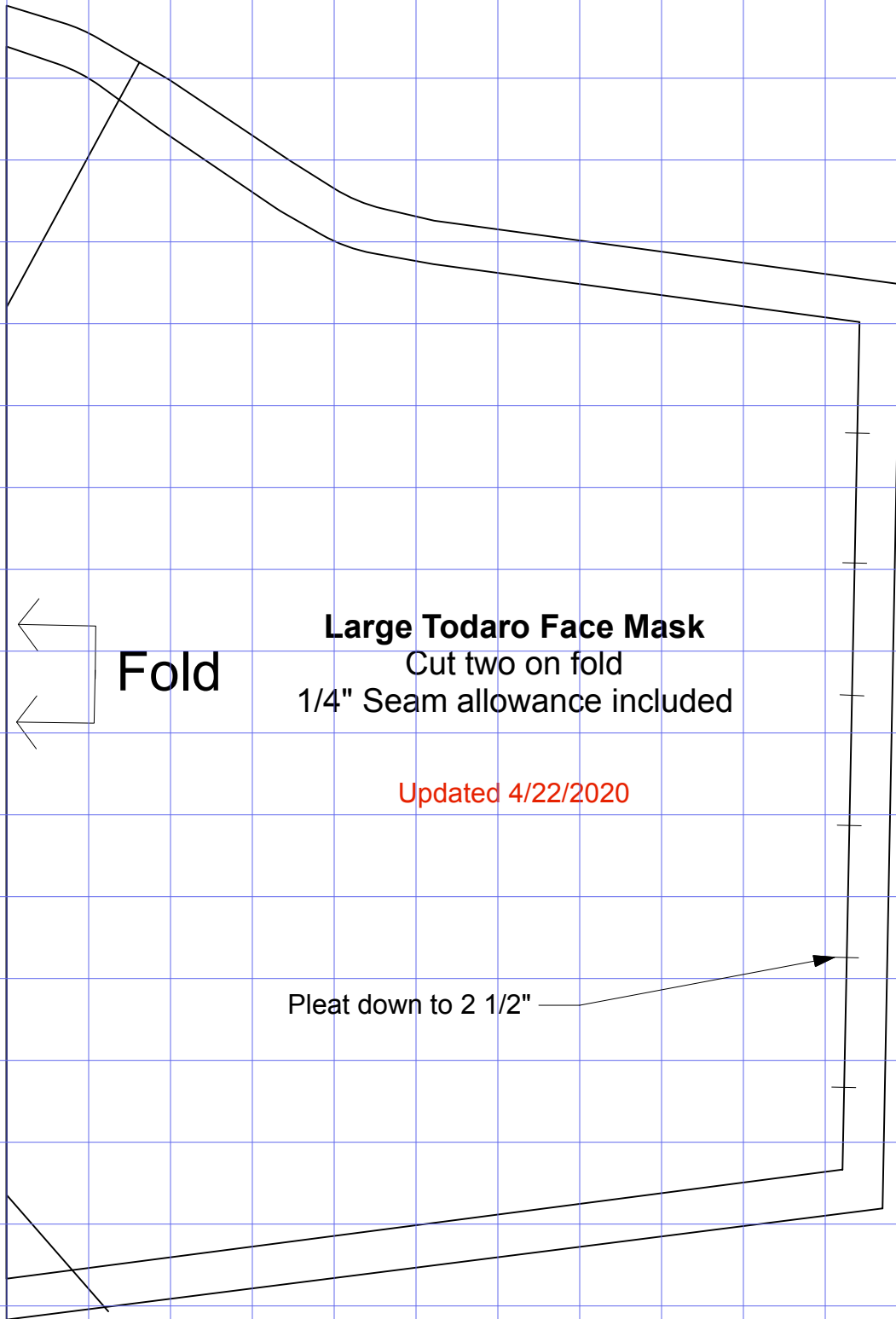
Fold

Updated 4/22/2020

Pleat down to 2 1/4"

Test 1"

1/2" Grid lines



Fold

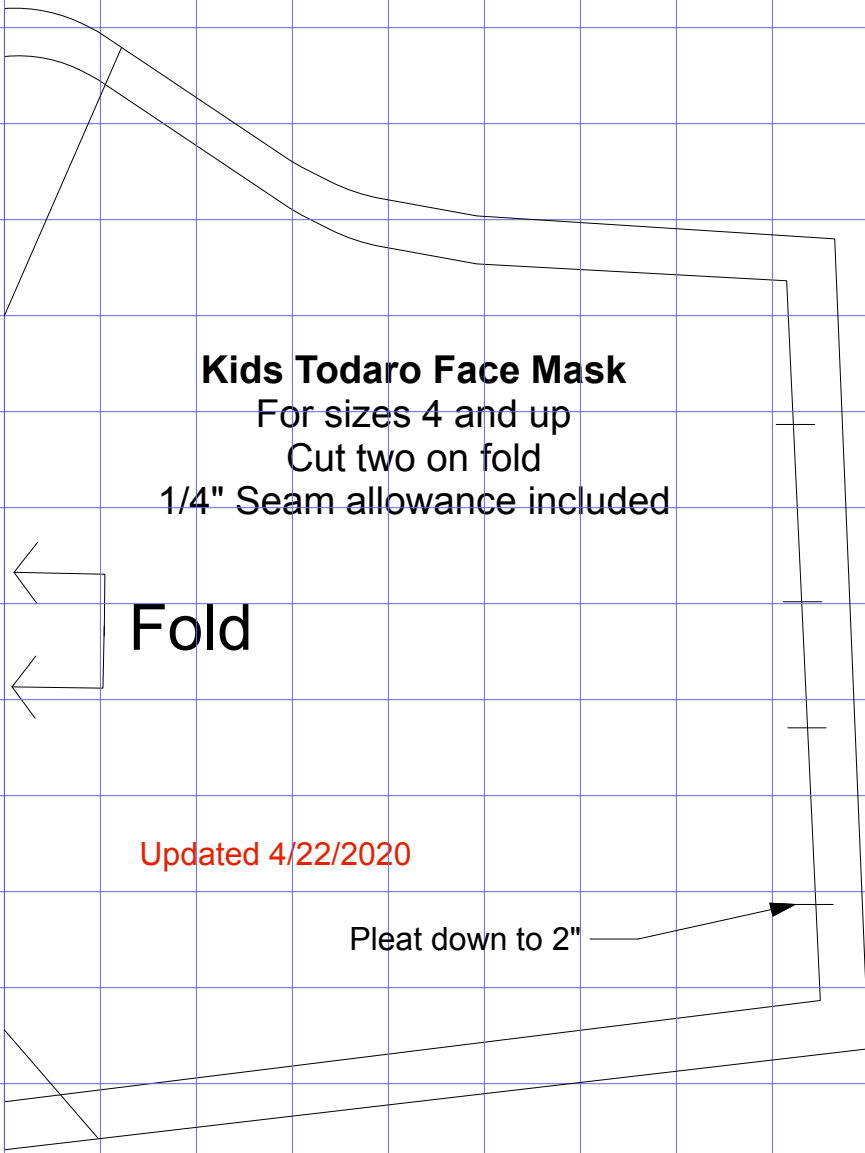
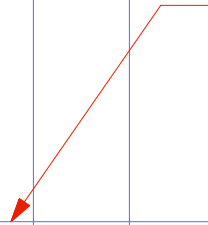
Large Todaro Face Mask
Cut two on fold
1/4" Seam allowance included

Updated 4/22/2020

Pleat down to 2 1/2"

Test 1"

1/2" Grid lines

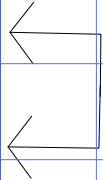


Kids Todaro Face Mask

For sizes 4 and up

Cut two on fold

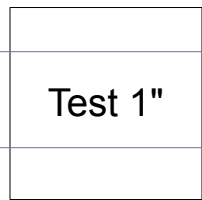
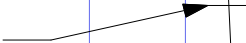
1/4" Seam allowance included



Fold

Updated 4/22/2020

Pleat down to 2"



Test 1"